

Note: Dimensions are nominal measurements only

SPECIFICATIONS

RECOMMENDED USE

Domestic / Commercial

MATERIAL

Stainless Steel 304

TEMPERATURE RATING

Maximum continuous working temperature 75°C
If the water temperature exceeds 75°C, an approved tempering valve must be fitted

PRESSURE RATING

Recommended minimum working pressure 0.5 Bar
Recommended maximum working pressure 5 Bar
Hot and cold water inlet pressure should be equal

SUITABLE HOT WATER UNITS

Storage tank: Yes
Continuous Flow: Yes
Gravity Feed: Suitable

INSTALLATION GUIDE

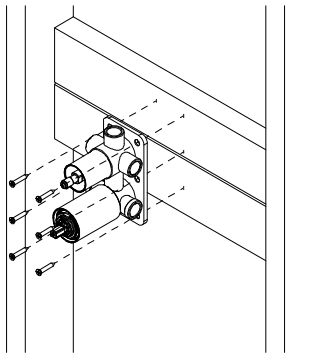
Note: This product must be installed by a licensed plumber. This is a general installation guide - there are many factors involved that can alter the installation method. **AU/NZ:** For installations within Australia and New Zealand, this product must be installed in compliance with AS/NZS 3500. **UK:** For installations in the United Kingdom this product must be installed in compliance with the Water Supply (Water Fittings) Regulations and Water Supply (Water Fittings) (Scotland) Byelaws. **Other:** For installations outside these countries, this product must be installed in compliance with the standards in your respective country.



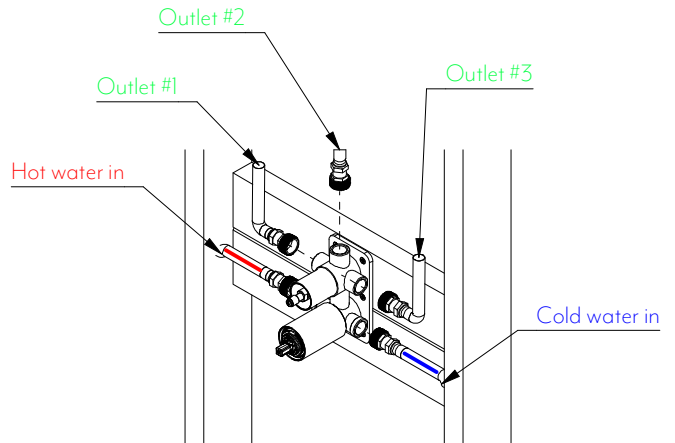
INSTALLATION - 3-OUTLET DIVERTER - IN-WALL COMPONENT

- 1 Determine the position for your diverter and mixer handles. Adjust the depth to ensure optimal set-out considering the wall finish material. Ensure the body is level in all directions.

Fix to the wall structure using the appropriate screws.

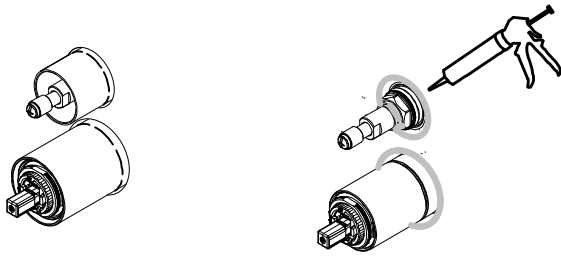


- 2 Connect the water pipes. Flush pipes to ensure no debris is in the lines. Use appropriate thread sealant. Check and ensure no leaks before proceeding.

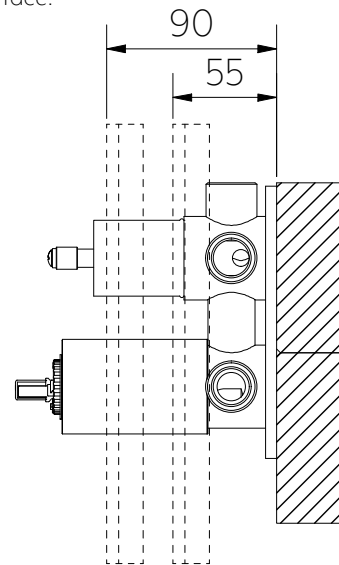


- 3 Apply the wall and wall finish. Trim sleeve with a knife so that the edge is flush with the wall finish.* Silicone between waterproof sleeve and wall.

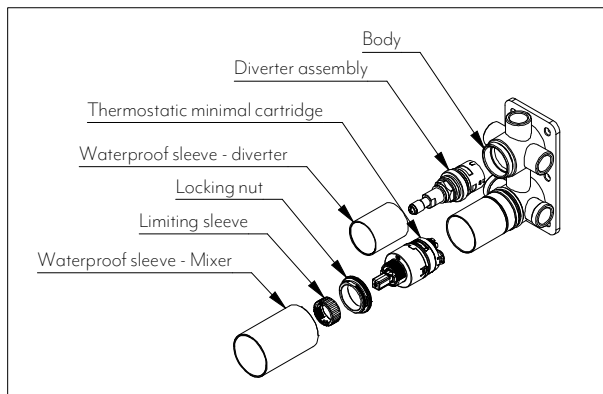
*Mark and remove sleeves for easier cutting if necessary.



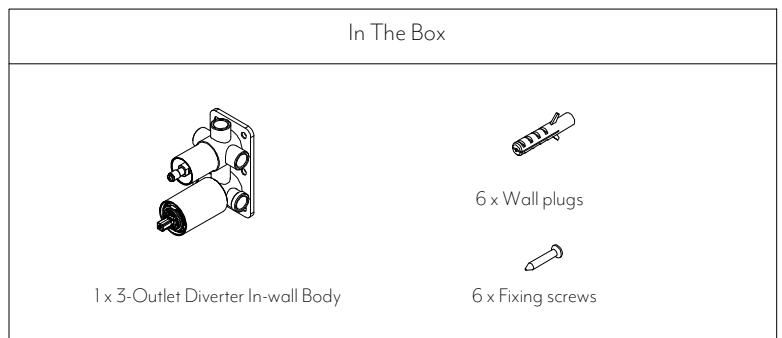
- 4 Recommended set-back range 55-90mm from the wall finish surface.



In-wall Sub Components



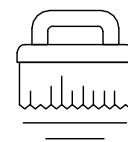
In The Box



Regularly clean with mild liquid detergent or soap and water



DO NOT use cream cleaners or bleach. These substances are abrasive



DO NOT use cleaning pads with abrasive surfaces as this may scratch the material